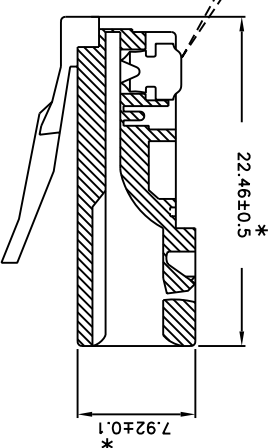
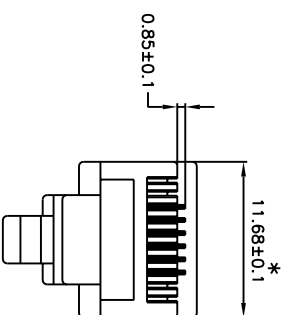
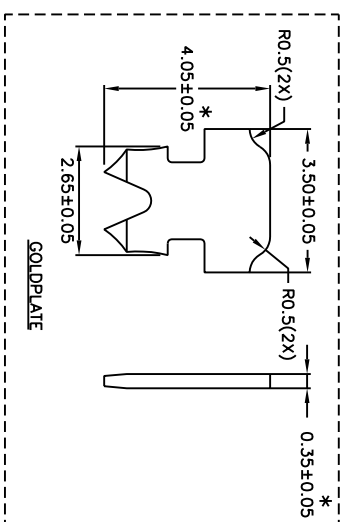


REVISIONS		DATE
REV	DESCRIPTION	



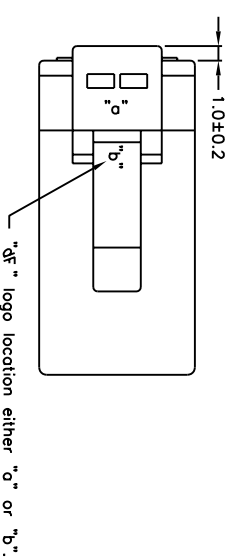
PLUG	GOLD PLATE POSITION	REMARK
BP2C	4,5	1,4,5,6,7,8 COME WITH PLASTIC STOPPER TAP
BP4C	3,4,5,6	5,6,7,8 COME WITH PLASTIC STOPPER TAP
BP8C	1,2,3,4,5,6,7,8	NA

**Specification :**

1. Housing : Natural Polycarbonate UL-94V-0
2. Contact Material : Phosphor Bronze
3. Plating : 3u", 6u" 15u" 30u" 50u" Gold Plating
4. Cable To Plug Tensile Strength : 8.16Kg (Min for 4&6&8 contacts plug)  
 - : 6.5Kg (Min for 2 contacts plug)

**Note :**

1. Plug must comply with FCC requirement Part 68 sub-port F dimension.
2. "\*" Measurement Require at IQC.



DATAFIELD ELECTRIC WIRE (DONGGUAN)CO.LTD.

TITLE MODULAR PLUG, 8 POSITION REV 00

DRAWN BY	ENGINEERING(M)	APPROVALS
WINNIE WU		
DATE	SCALE	
2002. 09. 10	NDT TO SCALE	